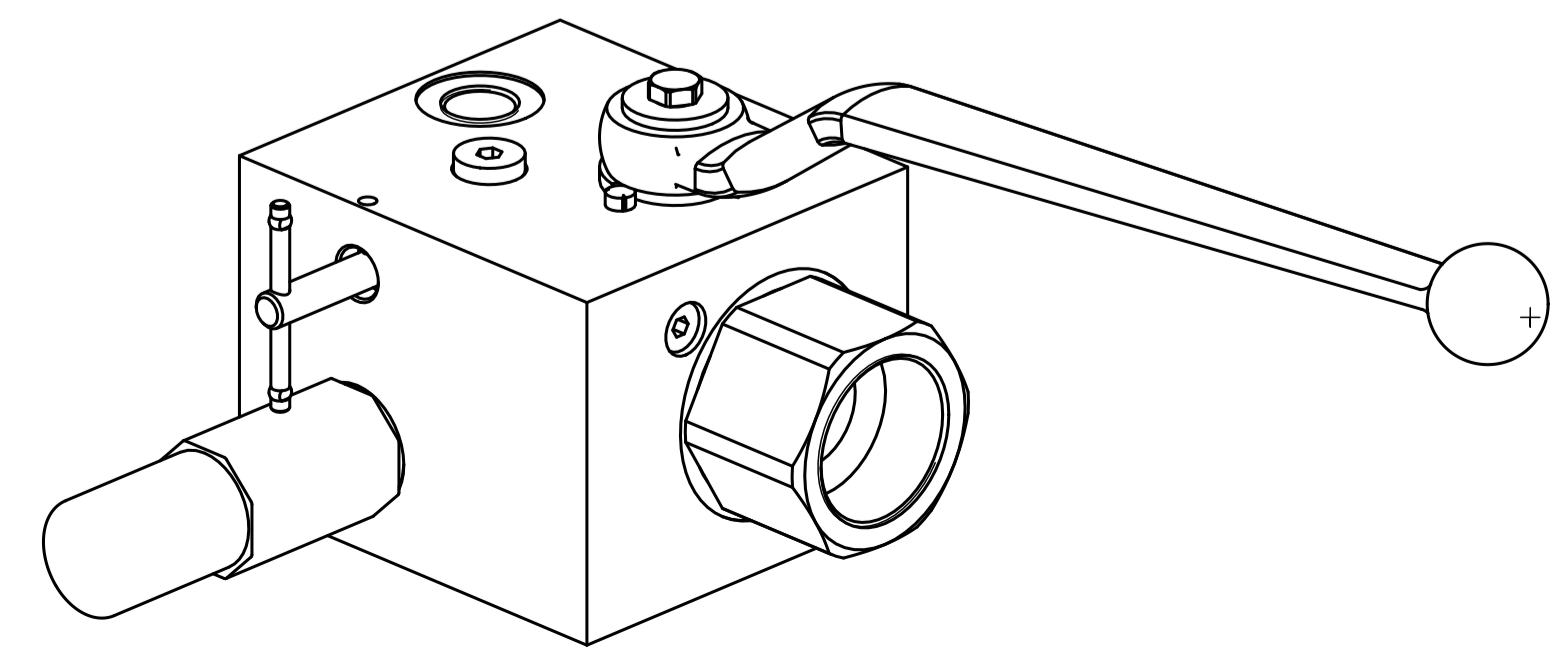
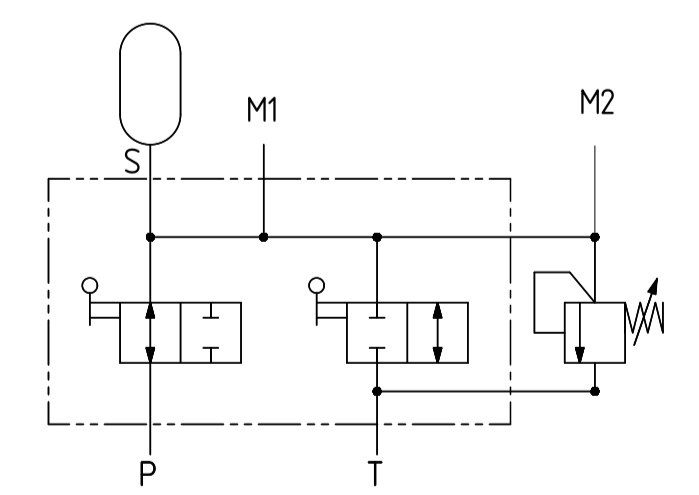
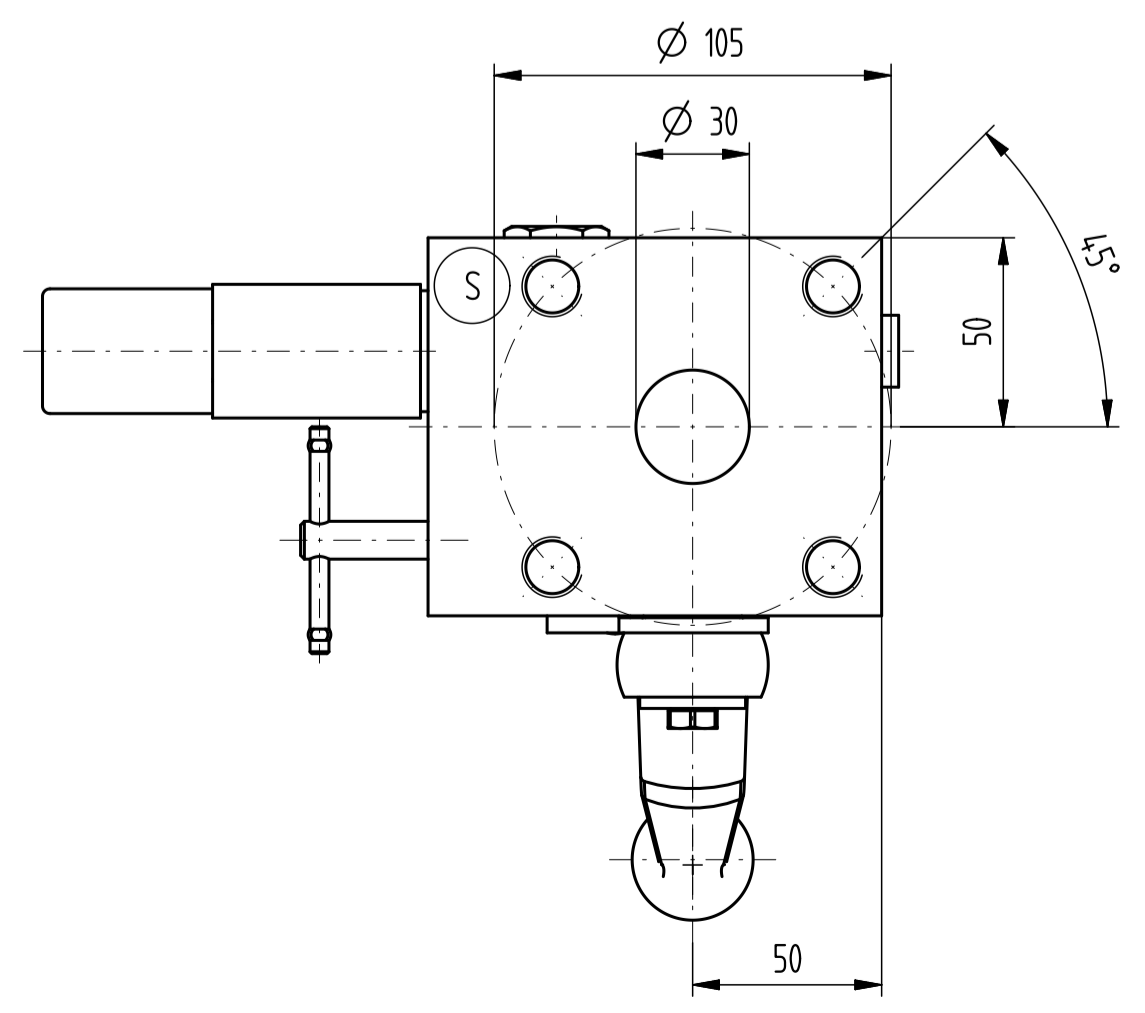
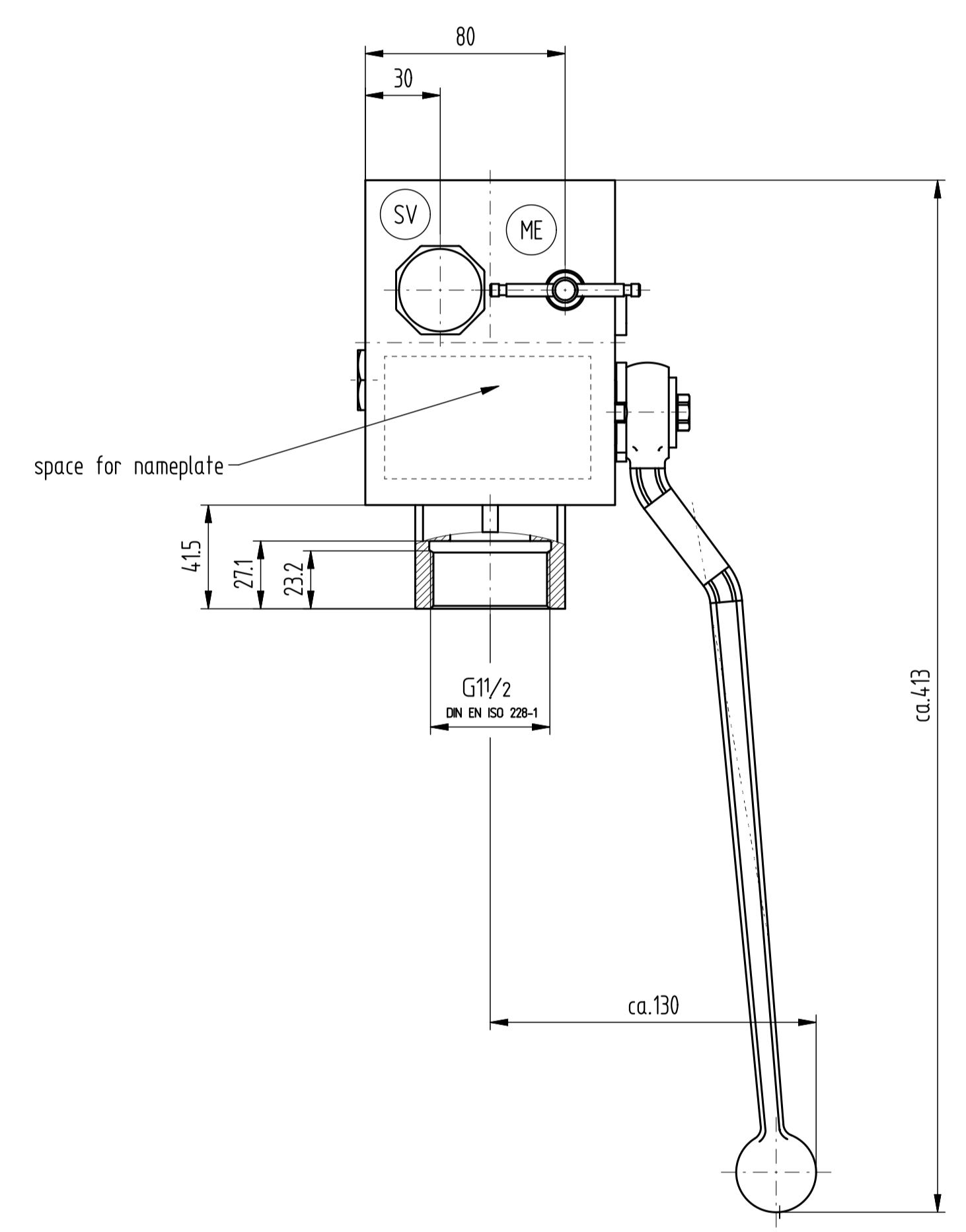
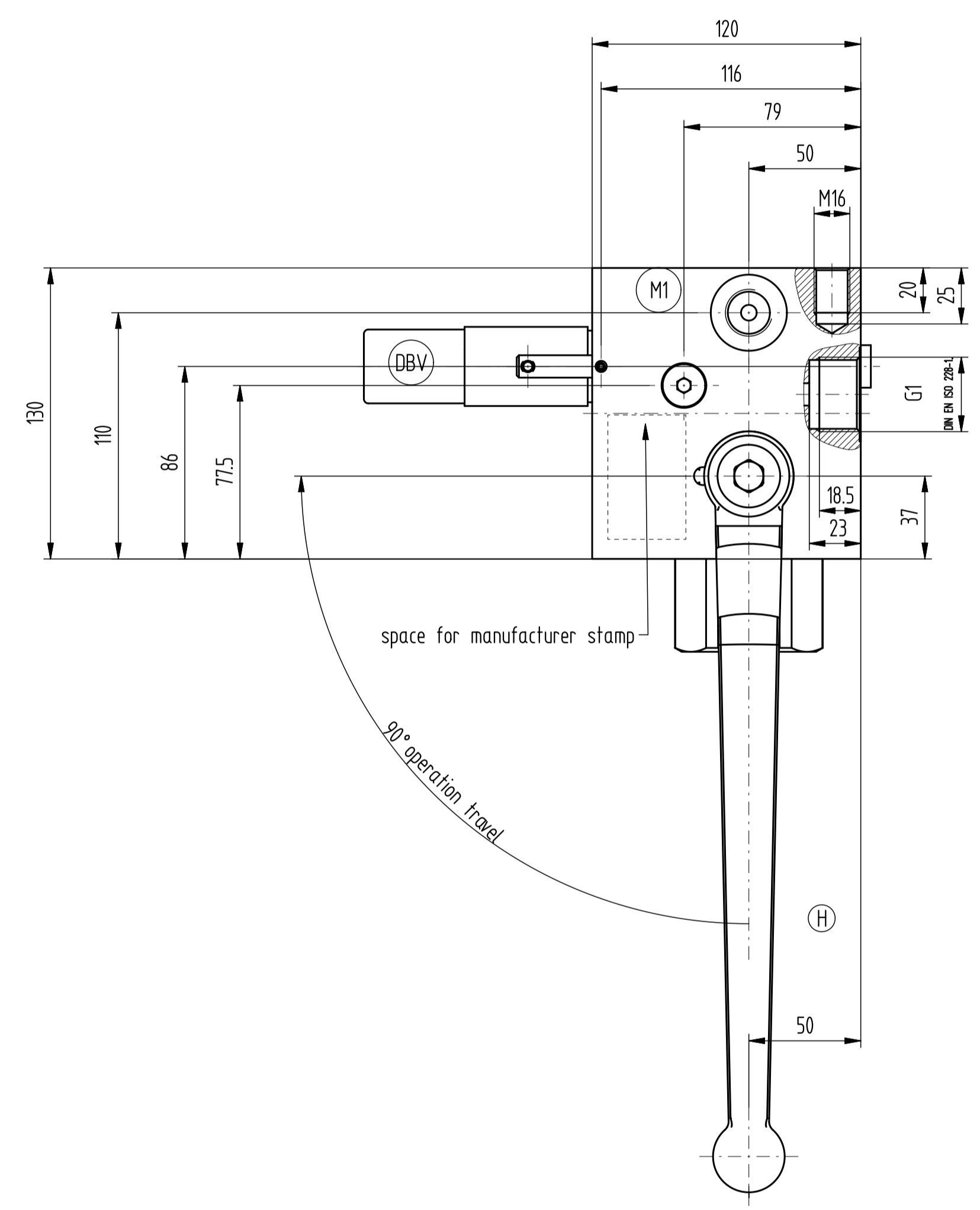
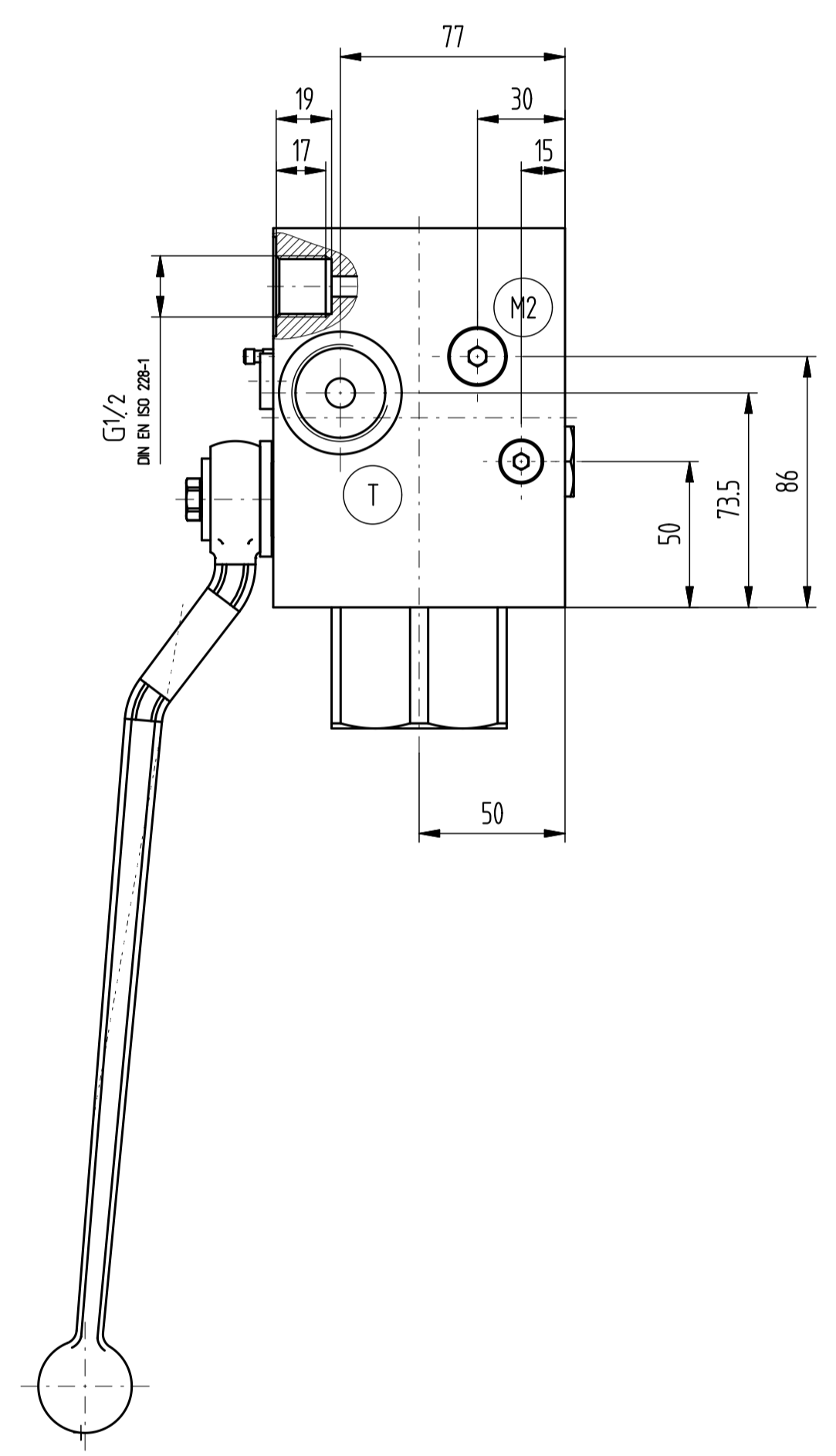
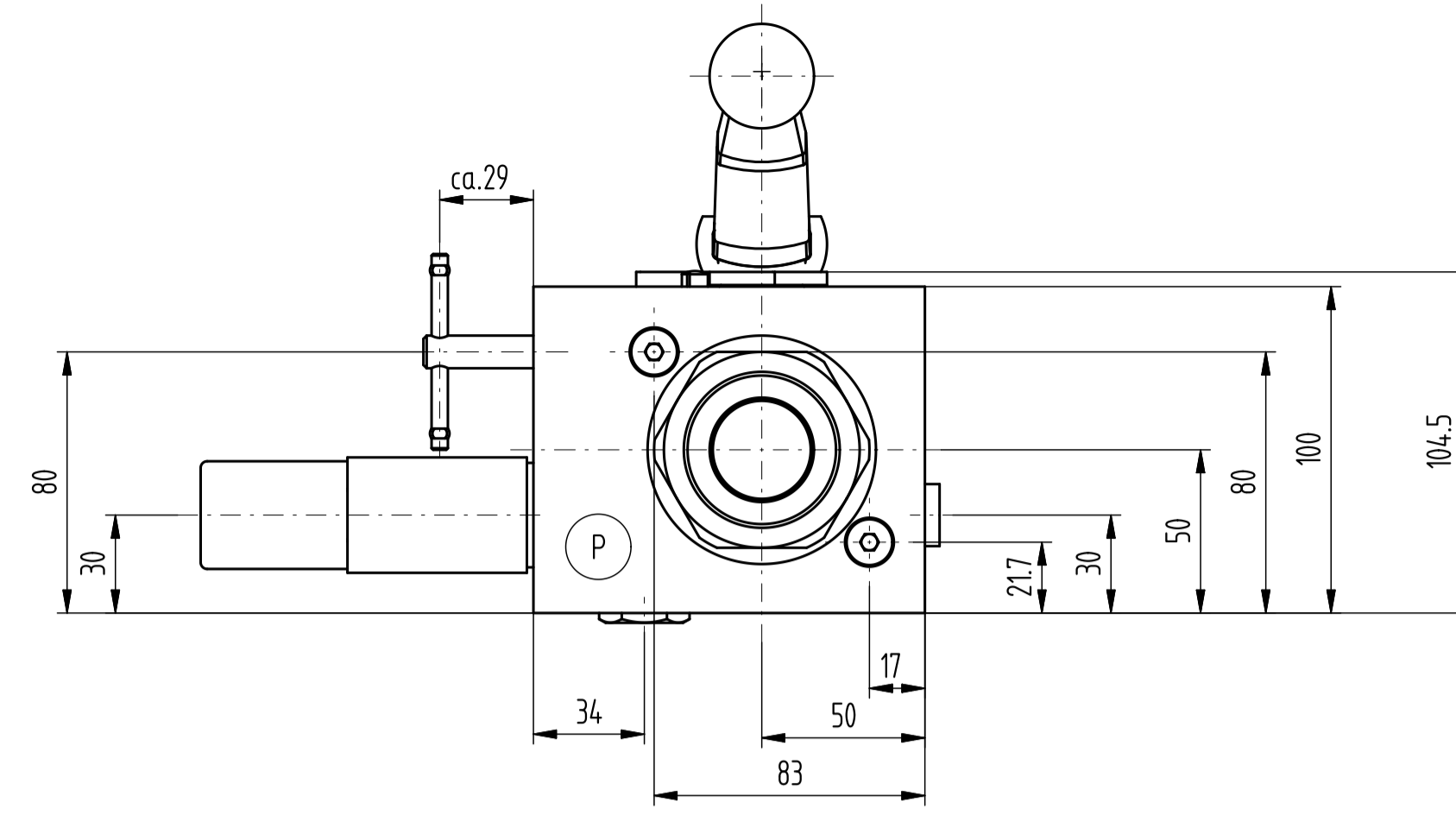


- DBV = pressure relief valve (M35x1.5)
(Cavity for DBDS10K1X ... / manufacturer Rexroth)
- SV = electromagn. relief (M20x1.5) closed
- ME = manuel relief
- T = tank connection (G1)
- M2 = pressure gauge 2 (G 1/4) closed
- M1 = test gauge 1 (G 1/2) closed
- P = pump connection (pump) (G1 1/2)
- S = system connection (4x M16)
prepared for adapter flange
(not included)
- H = handle code 22



Transfer as well as copy of this drawing, realization and information of the contents are not allowed, as far as it is not permitted expressly. All rights for patent, utility or design registrations reserved.

		423809 article-no.	st/POM-FKM material	surface treatment	weight
all dim. in mm dimensions without tolerance DIN ISO 2768-mk		surfaces DIN ISO 1302	scale: 1:2 dimensions:	size: DIN A1	
date created: 20.02.2019 approved: 17.04.2019 released:		name: Sirocchia Kirchhoff		name: accumulator safety block DN32 PN400	
		drawing-no.: 7S01508		sheet 1 sheets	
1 handle changed	07/07/2021 ph	Absperr- und Steuertechnik		replace for:	
index	modification	date	name	IR 0	replaced by: